

Profilo T

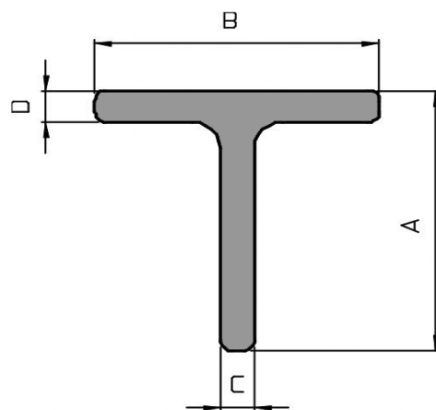
Profili a T strutturali

Certificato di collaudo secondo:
EN 10204/3.1B

Qualità:
W.Nr: 1.4301/1.4306/1.4404/1.4571/1.4541
AISI 304/304L/316/316Ti/321

Lunghezza barre 4/7m

Altre qualità, lunghezze e dimensioni su richiesta



N° PRE	DIMENSIONI (mm)				N° PROFILO
	A	B	C	D	
7679	25,0	25,0	4,0	4,0	04036
1827	25,0	25,0	8,0	10,0	00763
2357	25,0	40,0	6,0	15,0	00895
232	29,0	37,0	6,8	6,4	00236
2358	29,0	40,0	6,0	15,0	00896
4893	30,0	30,0	4,0	4,0	02335
4637	30,0	60,0	5,0	5,0	02129
2273	30,5	25,0	8,0	10,0	00890
451	32,2	50,8	5,7	5,5	00284
2002	33,0	40,0	6,0	15,0	00809
6465	33,0	51,0	20,0	22,0	03497
1537	33,5	25,0	8,0	10,0	00749
6472	35,0	35,0	4,0	5,5	03509
2150	35,0	40,0	6,0	15,0	00867
9315	35,0	60,0	4,0	4,0	04502
7799	35,0	70,0	4,5	4,5	04069
4731	35,0	70,0	6,0	6,0	02193
2359	36,0	40,0	6,0	15,0	00897
1538	37,0	25,0	8,0	10,0	00750
6213	38,1	38,1	4,8	4,8	03692
11308	40,0	30,0	5,0	5,0	04973
3673	40,0	39,0	15,0	6,0	01408
4705	40,0	40,0	5,0	5,0	02176
4962	40,0	60,0	4,0	4,0	02400
814	40,0	70,0	15,0	20,0	00720
3957	40,0	80,0	7,0	7,0	01592
2274	40,5	25,0	8,0	10,0	00891
9092	41,3	34,9	6,4	6,4	04456
5462	43,0	40,0	10,0	10,0	02813
3836	43,0	40,0	15,0	6,0	01515
1468	43,5	25,0	8,0	10,0	00692
3298	43,5	25,0	10,0	8,0	01220
4293	45,0	25,0	10,0	9,0	01858

Profilo T

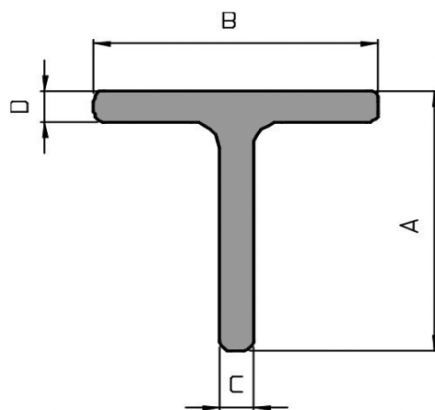
Profili a T strutturali

Certificato di collaudo secondo:
EN 10204/3.1B

Qualità:
W.Nr: 1.4301/1.4306/1.4404/1.4571/1.4541
AISI 304/304L/316/316Ti/321

Lunghezza barre 4/7m

Altre qualità, lunghezze e dimensioni su richiesta



N° PRE	DIMENSIONI (mm)				N° PROFILO
	A	B	C	D	
3672	45,0	40,0	15,0	6,0	01407
4959	45,0	45,0	5,0	5,0	02397
7013	46,0	90,0	6,0	6,0	03807
3017	48,0	40,0	6,0	15,0	01077
3835	49,5	40,0	15,0	6,0	01514
2001	50,0	40,0	6,0	15,0	00810
8852	50,0	50,0	4,0	4,0	04399
4638	50,0	50,0	5,0	5,0	02130
3740	50,0	50,0	6,0	6,0	01447
6533	50,0	50,0	7,0	7,0	03549
6791	50,0	50,0	25,0	20,0	03712
3294	50,0	100,0	8,5	8,5	01219
11829	50,8	63,5	6,4	6,5	05046
10535	54,0	44,5	15,0	17,5	04817
1539	55,0	25,0	8,0	10,0	00751
6680	55,0	80,0	20,0	10,0	03630
10548	56,0	59,5	20,0	19,5	04818
140	57,0	57,0	5,6	5,6	00126
5461	58,0	48,0	12,0	16,0	02812
11266	60,0	30,0	4,0	4,0	05018
6036	60,0	50,0	10,0	10,0	03303
4858	60,0	60,0	5,0	5,0	02304
3460	60,0	60,0	6,0	6,0	01297
6246	60,0	60,0	7,0	7,0	03427
5144	60,0	60,0	8,0	8,0	02553
5797	60,0	60,0	12,0	15,0	03111
4216	60,0	120,0	10,0	10,0	01797
12770	60,0	127,0	26,5	25,0	05254
8774	60,0	128,0	10,0	8,0	04371
7017	62,0	50,0	13,0	16,0	03815
5502	63,5	63,5	6,4	6,4	02849
11344	63,5	127,0	25,4	12,7	04949
5511	64,0	64,0	23,0	19,0	02857

Profilo T

Profili a T strutturali

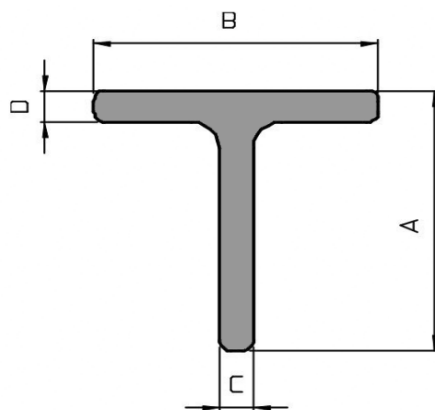
Certificato di collaudo secondo:
EN 10204/3.1B

Qualità:

W.Nr: 1.4301/1.4306/1.4404/1.4571/1.4541
AISI 304/304L/316/316Ti/321

Lunghezza barre 4/7m

Altre qualità, lunghezze e dimensioni su richiesta



N° PRE	DIMENSIONI (mm)				N° PROFILO
	A	B	C	D	
6496	64,0	64,0	33,0	19,0	03524
12767	64,5	152,4	26,4	26,3	05251
12375	69,9	127,0	31,8	19,1	05230
455	70,0	35,0	6,0	6,0	00288
3958	70,0	70,0	7,0	7,0	01593
3741	70,0	70,0	8,0	8,0	01448
978	70,0	70,0	9,0	9,0	00612
5610	76,2	76,2	6,4	6,4	02947
779	77,6	81,4	5,4	7,3	00502
6456	80,0	50,0	15,0	15,0	03492
1558	80,0	80,0	8,0	8,0	01218
5145	80,0	80,0	10,0	10,0	02554
6466	82,0	56,0	38,0	37,0	03498
4046	84,0	64,0	22,0	22,0	01661
7358	84,0	64,0	23,0	22,0	03946
6497	84,0	64,0	33,0	19,0	03525
7359	84,0	64,0	33,0	22,0	03947
14852	90,0	46,0	6,0	6,0	05715
14372	90,0	60,0	8,0	8,0	05661
2928	90,0	70,0	8,0	8,0	01049
11976	90,0	82,5	30,0	32,5	05035
3959	90,0	90,0	9,0	9,0	01594
12921	93,0	180,0	60,0	37,0	05271
5044	100,0	50,0	4,5	4,5	02469
6457	100,0	50,0	15,0	15,0	03493
5062	100,0	100,0	8,0	8,0	02485
568	100,0	100,0	10,0	10,0	00364
1552	100,0	102,0	10,0	10,0	00767
4800	101,6	101,6	9,4	9,4	02253
8237	101,6	101,6	12,7	12,7	04207
8314	101,6	101,6	25,4	25,4	04225
10979	101,6	101,6	63,5	63,5	05057
11343	101,6	177,8	31,8	25,4	04948

Profilo T

Profili a T strutturali

Certificato di collaudo secondo:
EN 10204/3.1B

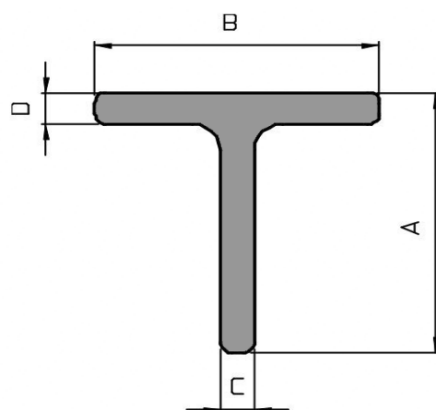
Qualità:

W.Nr: 1.4301/1.4306/1.4404/1.4571/1.4541

AISI 304/304L/316/316Ti/321

Lunghezza barre 4/7m

Altre qualità, lunghezze e dimensioni su richiesta



N° PRE	DIMENSIONI (mm)				N° PROFILO
	A	B	C	D	
3832	102,7	122,6	27,9	17,3	01510
1329	105,0	215,0	15,0	15,0	00663
9775	107,0	94,0	22,0	41,0	04650
6682	120,0	60,0	10,0	10,0	03633
8320	120,0	60,0	15,0	12,0	04256
987	120,0	80,0	20,0	20,0	00616
4899	120,0	100,0	10,0	12,0	02342
988	120,0	100,0	20,0	20,0	00617
6150	120,0	120,0	10,0	10,0	03389
5008	120,0	120,0	12,0	12,0	02436
4961	120,0	120,0	13,0	13,0	02399
5796	125,0	60,0	12,0	15,0	03110
14599	130,0	60,0	8,0	8,0	05663
3442	133,0	90,0	18,5	12,5	01290
8886	141,0	80,0	25,0	16,0	04610
7014	150,0	65,0	10,0	10,0	03816
14532	160,0	60,0	12,0	12,0	05662
14360	162,0	160,0	15,0	12,0	05620
14600	200,0	60,0	12,0	12,0	05664
12254	202,0	60,0	12,0	12,0	05137