

T Profile

Structural T profile

Grades:

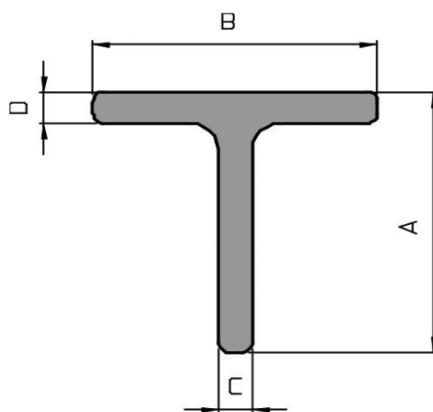
AISI 304/304L, 316/316L

Random lengths L=20' - 25' (4/7m)

Otherwise as request.

General tolerances according to ASTM A 484/A 484M

Further grades and dimension available on request



N° PRE	DIMENSION (inch)				N° PROFILE
	A	B	C	D	
7679	0,984	0,984	0,157	0,157	04036
1827	0,984	0,984	0,315	0,394	00763
2357	0,984	1,575	0,236	0,591	00895
232	1,142	1,457	0,268	0,251	00236
2358	1,142	1,575	0,236	0,591	00896
4893	1,181	1,181	0,157	0,157	02335
4637	1,181	2,362	0,197	0,197	02129
2273	1,201	0,984	0,315	0,394	00890
451	1,266	2,000	0,224	0,215	00284
2002	1,299	1,575	0,236	0,591	00809
6465	1,299	2,008	0,787	0,866	03497
1537	1,319	0,984	0,315	0,394	00749
6472	1,378	1,378	0,157	0,217	03509
2150	1,378	1,575	0,236	0,591	00867
9315	1,378	2,362	0,157	0,157	04502
7799	1,378	2,756	0,177	0,177	04069
4731	1,378	2,756	0,236	0,236	02193
2359	1,417	1,575	0,236	0,591	00897
1538	1,457	0,984	0,315	0,394	00750
6213	1,500	1,500	0,189	0,189	03692
11308	1,575	1,181	0,197	0,197	04973
3673	1,575	1,535	0,591	0,236	01408
4705	1,575	1,575	0,197	0,197	02176
4962	1,575	2,362	0,157	0,157	02400
814	1,575	2,756	0,591	0,787	00720
3957	1,575	3,150	0,276	0,276	01592
2274	1,594	0,984	0,315	0,394	00891
9092	1,626	1,374	0,250	0,250	04456
5462	1,693	1,575	0,394	0,394	02813
3836	1,693	1,575	0,591	0,236	01515
1468	1,713	0,984	0,315	0,394	00692
3298	1,713	0,984	0,394	0,315	01220
4293	1,772	0,984	0,394	0,354	01858

T Profile

Structural T profile

Grades:

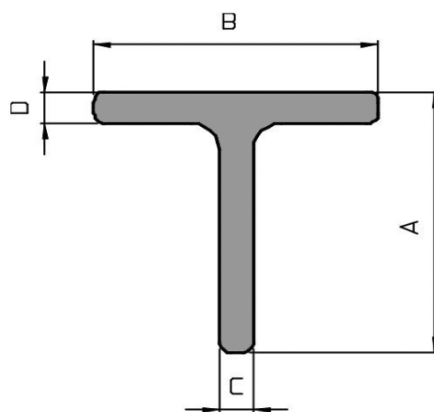
AISI 304/304L, 316/316L

Random lengths L=20' - 25' (4/7m)

Otherwise as request.

General tolerances according to ASTM A 484/A 484M

Further grades and dimension available on request



N° PRE	DIMENSION (inch)				N° PROFILE
	A	B	C	D	
3672	1,772	1,575	0,591	0,236	01407
4959	1,772	1,772	0,197	0,197	02397
7013	1,811	3,543	0,236	0,236	03807
3017	1,890	1,575	0,236	0,591	01077
3835	1,949	1,575	0,591	0,236	01514
2001	1,969	1,575	0,236	0,591	00810
8852	1,969	1,969	0,157	0,157	04399
4638	1,969	1,969	0,197	0,197	02130
3740	1,969	1,969	0,236	0,236	01447
6533	1,969	1,969	0,276	0,276	03549
6791	1,969	1,969	0,984	0,787	03712
3294	1,969	3,937	0,335	0,335	01219
11829	2,000	2,500	0,250	0,256	05046
10535	2,126	1,752	0,591	0,689	04817
1539	2,165	0,984	0,315	0,394	00751
6680	2,165	3,150	0,787	0,394	03630
10548	2,205	2,343	0,787	0,768	04818
140	2,244	2,244	0,220	0,220	00126
5461	2,283	1,890	0,472	0,630	02812
11266	2,362	1,181	0,157	0,157	05018
6036	2,362	1,969	0,394	0,394	03303
4858	2,362	2,362	0,197	0,197	02304
3460	2,362	2,362	0,236	0,236	01297
6246	2,362	2,362	0,276	0,276	03427
5144	2,362	2,362	0,315	0,315	02553
5797	2,362	2,362	0,472	0,591	03111
4216	2,362	4,724	0,394	0,394	01797
12770	2,362	5,000	1,043	0,984	05254
8774	2,362	5,039	0,394	0,315	04371
7017	2,441	1,969	0,512	0,630	03815
5502	2,500	2,500	0,250	0,250	02849
11344	2,500	5,000	1,000	0,500	04949
5511	2,520	2,520	0,906	0,748	02857

T Profile

Structural T profile

Grades:

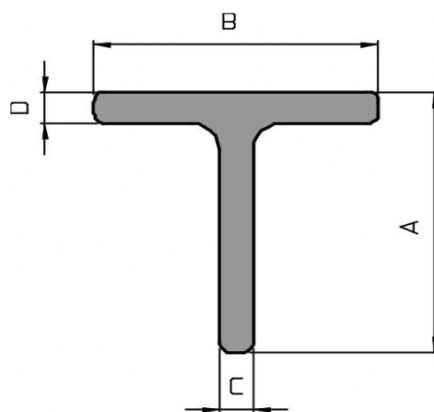
AISI 304/304L, 316/316L

Random lengths L=20' - 25' (4/7m)

Otherwise as request.

General tolerances according to ASTM A 484/A 484M

Further grades and dimension available on request



N° PRE	DIMENSION (inch)				N° PROFILE
	A	B	C	D	
6496	2,520	2,520	1,299	0,748	03524
12767	2,539	6,000	1,039	1,035	05251
12375	2,750	5,000	1,250	0,750	05230
455	2,756	1,378	0,236	0,236	00288
3958	2,756	2,756	0,276	0,276	01593
3741	2,756	2,756	0,315	0,315	01448
978	2,756	2,756	0,354	0,354	00612
5610	3,000	3,000	0,250	0,250	02947
779	3,055	3,205	0,213	0,287	00502
6456	3,150	1,969	0,591	0,591	03492
1558	3,150	3,150	0,315	0,315	01218
5145	3,150	3,150	0,394	0,394	02554
6466	3,228	2,205	1,496	1,457	03498
4046	3,307	2,520	0,866	0,866	01661
7358	3,307	2,520	0,906	0,866	03946
6497	3,307	2,520	1,299	0,748	03525
7359	3,307	2,520	1,299	0,866	03947
14852	3,543	1,811	0,236	0,236	05715
14372	3,543	2,362	0,315	0,315	05661
2928	3,543	2,756	0,315	0,315	01049
11976	3,543	3,248	1,181	1,280	05035
3959	3,543	3,543	0,354	0,354	01594
12921	3,661	7,087	2,362	1,457	05271
5044	3,937	1,969	0,177	0,177	02469
6457	3,937	1,969	0,591	0,591	03493
5062	3,937	3,937	0,315	0,315	02485
568	3,937	3,937	0,394	0,394	00364
1552	3,937	4,016	0,394	0,394	00767
4800	4,000	4,000	0,370	0,370	02253
8237	4,000	4,000	0,500	0,500	04207
8314	4,000	4,000	1,000	1,000	04225
10979	4,000	4,000	2,500	2,500	05057
11343	4,000	7,000	1,250	1,000	04948

T Profile

Structural T profile

Grades:

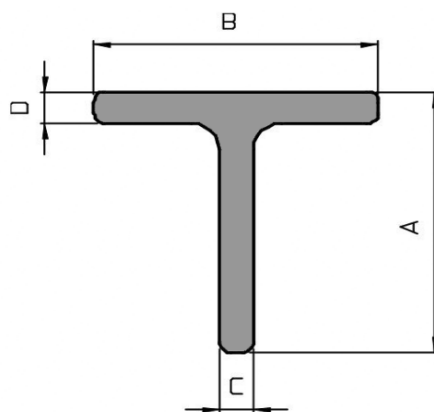
AISI 304/304L, 316/316L

Random lengths L=20' - 25' (4/7m)

Otherwise as request.

General tolerances according to ASTM A 484/A 484M

Further grades and dimension available on request



N° PRE	DIMENSION (inch)				N° PROFILE
	A	B	C	D	
3832	4,043	4,827	1,098	0,681	01510
1329	4,134	8,465	0,591	0,591	00663
9775	4,213	3,701	0,866	1,614	04650
6682	4,724	2,362	0,394	0,394	03633
8320	4,724	2,362	0,591	0,472	04256
987	4,724	3,150	0,787	0,787	00616
4899	4,724	3,937	0,394	0,472	02342
988	4,724	3,937	0,787	0,787	00617
6150	4,724	4,724	0,394	0,394	03389
5008	4,724	4,724	0,472	0,472	02436
4961	4,724	4,724	0,512	0,512	02399
5796	4,921	2,362	0,472	0,591	03110
14599	5,118	2,362	0,315	0,315	05663
3442	5,236	3,543	0,728	0,492	01290
8886	5,551	3,150	0,984	0,630	04610
7014	5,906	2,559	0,394	0,394	03816
14532	6,299	2,362	0,472	0,472	05662
14360	6,378	6,299	0,591	0,472	05620
14600	7,874	2,362	0,472	0,472	05664
12254	7,953	2,362	0,472	0,472	05137