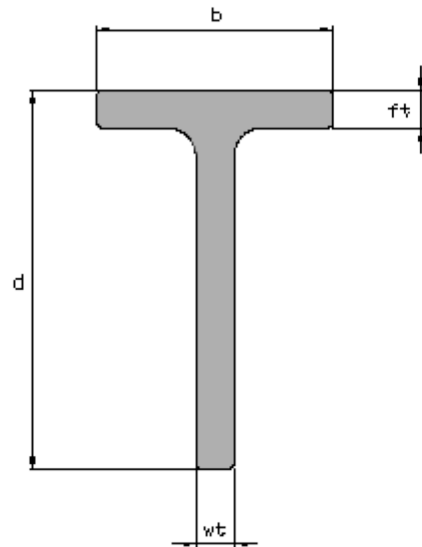


Unequal Leg Angle

Grades:
AISI 304/304L,316/316L
Further grades available on request

Random lengths L=20' - 25'
Otherwise as request



Item dxbxwtxft	Depth d in.	Flange b in.	Web Thickness wt in.	Flange Thickness ft in.	Weight pds/ft.	Profile Nr.
2x4x1/4	2	4	.250	.250	5.04	PRE/6219

General tolerances according to ASTM A 484/A 484M. (°)Can be supplied only whether spot weld repairs are permitted.