

Tapered Channels

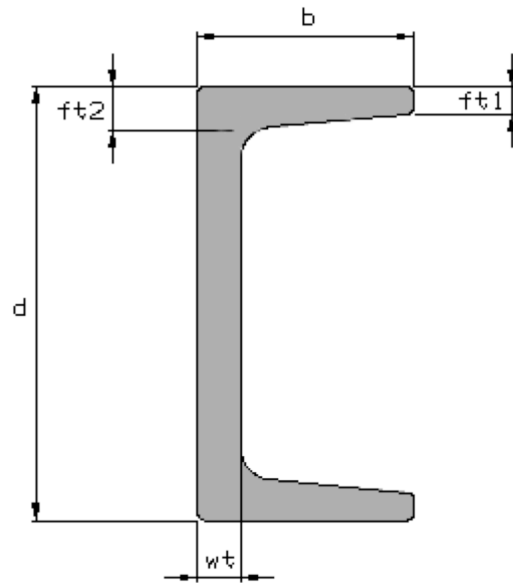
Grades:

AISI 304/304L, 316/316L

Further grades available on request

Random lengths L=20' - 25'

Otherwise as request



Item d x b x wt	Depth d in.	Flange b in.	Web Thickness wt in.	Flange Thickness in.		Weight pds/ft.	Profile Nr.)
				ft1	ft2		
2x1x.30	2	1	.300	.180	.278	3.23	03304
3x1-3/8x3/16	3	1.375	.187	.189	.343	4.17	02879
3x1.410x.170(*)	3	1.410	.170	.189	.343	4.17	03531
3x1-1/2x3/16	3	1.5	.187	.189	.343	4.30	03331
3x1-1/2x1/4	3	1.5	.250	.189	.303	4.70	02855
3x2x1/4	3	2	.250	.340	.401	7.26	02844
4x1.584x.184(*)	4	1.584	.184	.189	.437	5.65	03533
4x1.72x.321	4	1.720	.321	.189	.437	7.50	03532
4x1-3/4x1/4	4	1.75	.250	.189	.437	6.72	02838
4x2x3/16	4	2	.187	.189	.343	5.98	PRE/6508
5x1-7/8x3/8	5	1.874	.374	.258	.508	10.55	02853
6x1.92x.20	6	1.92	.200	.211	.496	8.40	02503
6x2.035x.315	6	2.035	.315	.197	.472	10.40	03465
6x2.157x.437	6	2.157	.437	.213	.500	13.44	02946
6x3.5x.338	6	3.5	.338	.324	.434	15.52	02845

General tolerances according to ASTM A 484/A 484M

(*) Can be supplied only whether spot weld repairs are permitted.