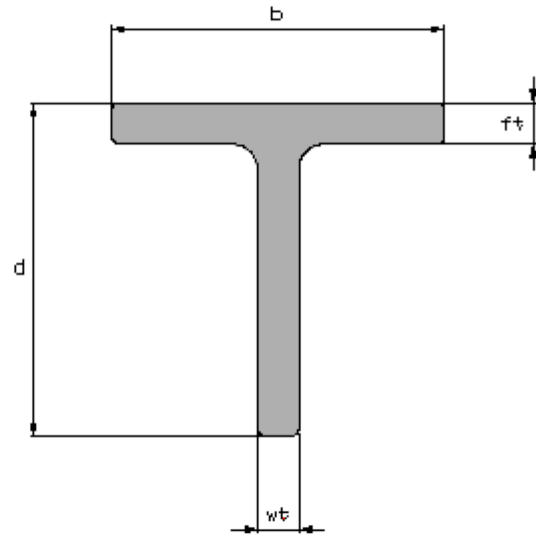


Equal Leg Tee

Grades:
 AISI 304/304L, 316/316L
 Further grades available on request

Random lengths L=20' - 25'
 Otherwise as request.

General tolerances according to ASTM A 484/A 484M



Item dxbxwtxft	Depth d in.	Flange b in.	Web Thickness wt in.	Flange Thickness ft in.	Weight pds/ft.	Profile Nr.
1-1/2x1-1/2x3/16	1.5	1.5	.187	.187	1.81	03692
2x2x1/4	2	2	.250	.250	3.36	02850
2-1/2x2-1/2x1/4	2.5	2.5	.250	.250	4.23	02849
3x3x1/4	3	3	.250	.250	5.04	02947
4x4x3/8	4	4	.374	.374	9.81	02253